

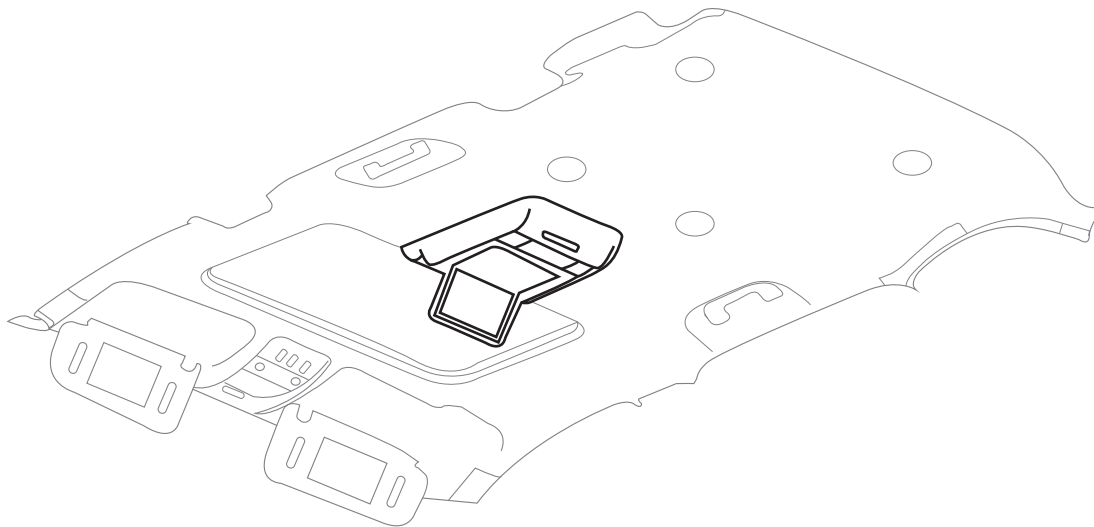
### 1. Installation Notes and Connections Sequence: (Read the instruction manual!

**Many common questions can be avoided reading this document first before installation!**

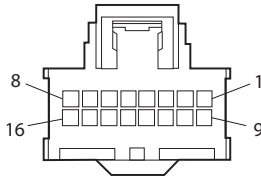
- Vehicle battery must be disconnected prior to start of installation
- All system connections/harnesses must be plugged in before re-connecting the vehicle battery lead.

**Warning:** Failure to follow this instruction may cause a communication problem between the X009 and Maestro module. In severe cases this is not recoverable and the X009 will need to be replaced.

**2. Vehicles with rear seat entertainment (2007-2014):** If the audio on the factory headphones is not retained, you must add an additional 12 volt ignition to pink wire Pin #4 on the factory 16 Pin connector found at the overhead rear seat DVD console (shown below).

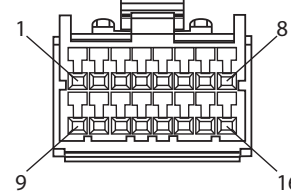


2007-2010 GM RSE



Pin	Wire	Function
1	L-BU	Left DVD Audio Signal(+)
2	PU	DVD Audio Common
3	WH	Right DVD Audio Signal(+)
4	PK	Infrared Module Control
5-7	-	Not Used
8	OG/BK	Remote Infrared Audio Signal(+)
9	OG/BK	Left Infrared Audio Signal
10	BN/WH	Low Reference
11	PU/WH	Right Infrared Audio Signal
12	BK	Ground
13-15	-	Not Used
16	TN/WH	Remote Infrared Signal(-)

2011-2014 GM RSE



Pin	Wire	Function
1	D-GN	DVD Video Signal(+)
2	BARE	Drain Wire
3	-	Not Used
4	PK	Infrared Module Control
5	PK	Infrared Module Control
6	RD/WH	Battery Positive Voltage
7	BK	Ground
8	PK/BK	Video Bright Signal
9	WH/BK	DVD Video Signal(-)
10	-	Not Used
11	WH	Entertainment Remote Enable Signal
12-13	-	Not Used
14	BK	Ground
15	-	Not Used
16	L-GN/BK	Video Mode Signal

Document Illustrated and Approved By: Estevan Sanchez  
 Date: August 11, 2015  
 Technical Support  
 Alpine Electronics of America, Inc.  
 1-800-TECH-101

Additional Specifications:  
 N/A

Circuit Profile  
 N/A