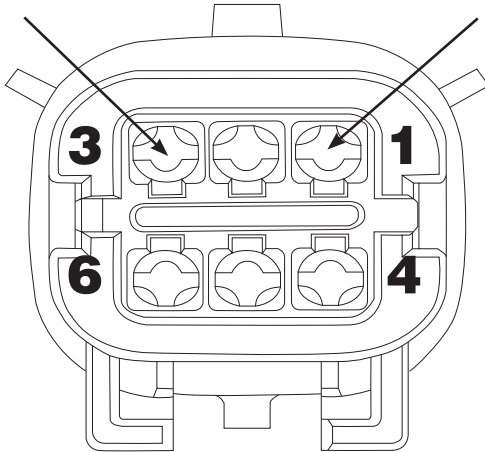
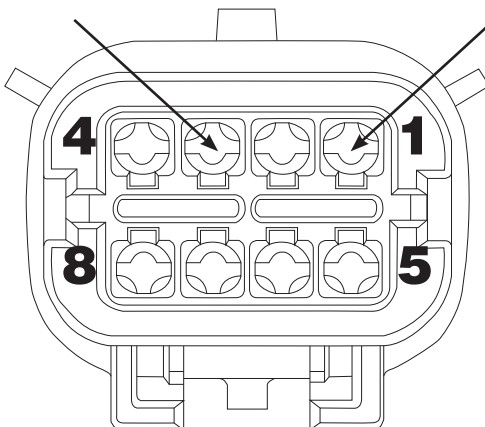


## 2014-2015



1. Red
2. Yellow
3. White
4. Black
5. Black
6. Brown

## 2016-2017



1. Red
2. Yellow
3. White
4. White
5. Black
6. Black
7. Brown
8. Black

These connectors are located by the rear bumper under the vehicle.

1. Alpine aftermarket head units provide the ability to monitor your cargo while towing via the Direct Camera hard key. On the 2014-up Silverado/Sierra, the OEM camera will only turn ON while the vehicle is running and in REVERSE. This means when pushing the Direct Camera hard key it will not display the camera video. Follow the steps below to solve the issue.

2. Locate the camera connector under the rear bumper electrical block.
3. Cut the **WHITE** wire in pin 3.
4. Tape or heat shrink the vehicle side of the wire.
5. The side going to the camera needs to be tapped onto the **RED** wire in pin 1.